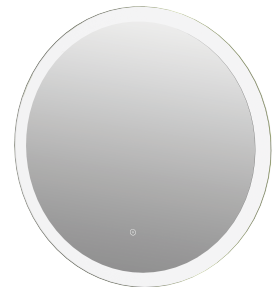


MISENO

installation instruction

LED MIRROR

Model: MNO2432LEDR, MNO5636LEDR, MNO6028LEDR, MNO4040LED
MNO4824LED, MNO3030LED, MNO3636LED



Before You Begin

1. Inspect the Mirror and components for any damage.
2. During installation do not rest any heavy or sharp objects on the mirrors surface.
3. Shut off the power to the circuit on which you are installing the mirror.

NOTES

- These products are only suitable for indoor use.
- Installation should be handled by a licensed electrician, incorrect installation methods may lead to personal injury or product damage.

Tools and Materials:



Work Gloves



Safety Glasses



Pencil



Drill



Tape Measure



Level



Flathead Screwdriver



Hammer

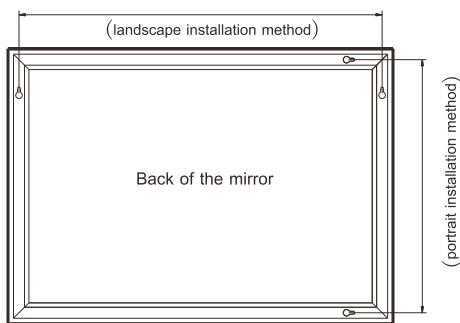
REVISED 11/2023

MISENO

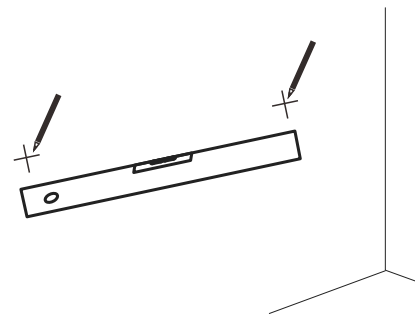
installation instruction

INSTALLATION:

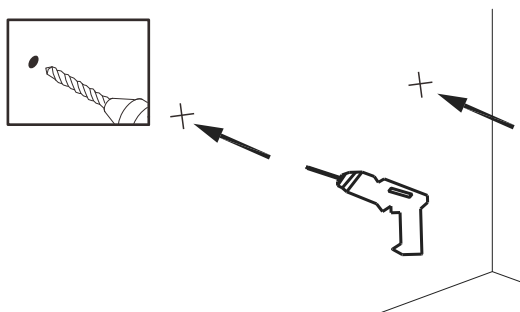
1. Identify your preferred orientation, landscape or portrait.



2. Measure the location of each screw hole on the wall and mark using a level.

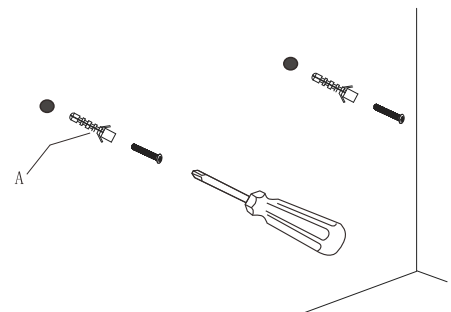


3. Drill pilot holes for each screw.



4. If installing on a solid material, insert the screw anchors into each pilot hole.

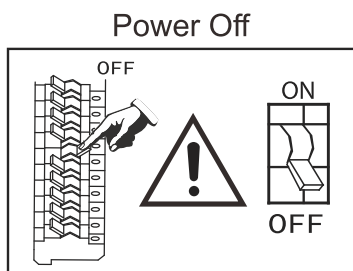
5. Tighten each screw by hand using a screwdriver.



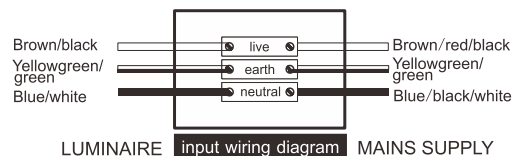
MISENO

installation instruction

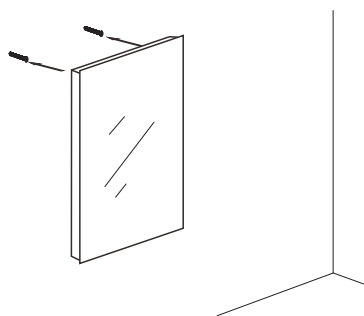
6. Be sure to confirm the power is shut off to the circuit.



7. Install the wiring as shown in the diagram below.



8. Hang the mirror, shaking it lightly onto the hanging bar to ensure it is stable.



9. Turn on the power.

